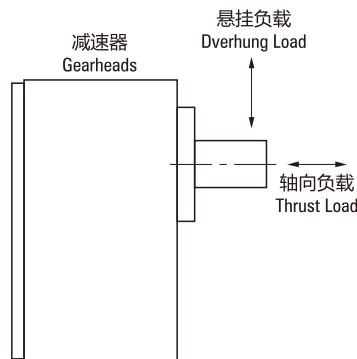


通用规格 COMMON SPECIFICATIONS

■ 电动机的容许悬挂负载·容许轴向负载 Permissible Overhung Load And Permissible Thrust Load Of Motor

容许悬挂负载 Permissible Overhung Load

电动机 Motor		容许悬挂负载 Permissible Overhung Load	
安装尺寸 Motor Frame Size □(mm)	输出轴直径 Output Shaft Diameter □(mm)	距轴端的距离 Distance from Shaft End	
		10mm	10mm
42	5	40	-
60	6	50	110
70	6	40	60
80	8	90	140
	10	110	120
90	10	140	200
	12	240	270
100	14	320	350



容许轴向负载。

Permissible Thrust Load.

请尽量不要施加轴向负载。即使不得已的情况下，请将轴向负载控制在电动机重量的一半以下。
Avoid thrust loads as much as possible. If thrust load is unavoidable, keep it to half or less of the motor mass.

■ 电动机的容许悬挂负载·容许轴向负载 Permissible Overhung Load And Permissible Thrust Load Of Motor

型号 Model	减速比 Gear Ratio	最大容许转矩 Maximum Permissible Torque N.m	容许悬挂负载 Permissible Overhung Load N		容许轴向 Permissible Thrust Load N
			距轴端10mm 10mm from Shaft End	距轴端20mm 20mm from Shaft End	
0GN□K	3~60	1.0	20	-	15
2GN□K	3~18	3.0	50	80	30
	25~200		120	180	
3GN□K	3~18	5.0	80	120	40
	25~200		150	250	
4GN□K	3~18	8.0	100	150	50
	25~200		200	300	
5GN□K	3~18	10	250	350	100
	25~200		300	450	
5GU□KB 5GU□K	3~9	20	400	500	150
	12.5~18		450	600	
	25~200		500	700	
5GU□K	3~200	40	1100	1500	300

■ 减速器的容许负载惯性惯量 J Permissible Load Inertia for Gearhead J

连接到减速器上的负载惯性惯量 (J) 较大的情况下，在频繁的间歇运转的起动瞬间 (或以电磁制动及制动器进行急停时) 会出现瞬时较大的转矩。该冲击负载过大会导致减速器及电动机损坏。

When a high load inertia (J) is connected to a gearhead, high torque is exerted instantaneously on the gearhead when starting up in frequent, discontinuous operations (or when stopped by an electromagnetic brake, or when stopped instantaneously by a brake pack).

Excessive impact loads can cause the gearhead or motor damage.

下面列出了电动机轴上的容许负载惯性惯量的值，使用时请控制在此数值下。三相电动机的容许负载惯性惯量是指从一旦停止运转后再进行反转时的数值。

The table below gives values for permissible load inertia on the motor shaft. Use the motor and gearhead within these parameters. The permissible inertial load value shown for three-phase motors is the value when reversing after a stop.

请利用下面的公式计算减速器输出轴上的容许惯性惯量 (J)。

The permissible load inertia (J) on the gearhead output shaft is calculated with the following equation.

通过带电磁制动电动机、制动器及速度控制电动机的瞬时停止来运转容许负载惯性惯量时的使用寿命为200万次。

The life of the gearhead when operating at the permissible inertial load with instantaneous stops of the motors with electromagnetic brakes, brake packs or speed control motors is at least 2 million cycles.

■ 减速器输出轴上的容许负载惯性惯量 Permissible Load Inertia For GearHead Output Shaft

减速比1/3 ~ 1/50时 JG=JM×I

减速比1/60以上时 JG=JM×2500

Gear ratio 1/3 ~ 1/50 JG=JM×I

Gear ratio 1/60 or high JG=JM×I

JG: 减速器输出轴容许负载惯性惯量J(×10 kg. m平方)

JM: 减速器输出轴容许负载惯性惯量J(×10 kg. m平方)

I: 减速比(例: 减速比1/3时i=3)

JG: Permissible load inertia gearhead output shaft J(×10 kg. m平方)

JG: Permissible load inertia at the motor shaft J(×10 kg. m平方)

I: Gear ratio (Example: i-3 means the gear ratio or 1/3)

■ 电动机轴上的容许负载惯性惯量 Permissible Load Inertia At The Motor Shaft

电动机电源相数 No. of Phase	安装尺寸 Motor Frame Size	输出功率 Output Power	电动机轴上的容许负载惯性惯量 Permissible Load Inertia at the Motor Shaft	
			J(×10 ⁻⁴ kg.m ²)	GD ² (kg.m ²)
单相 Single-phase	42	1W、3W	0.016	0.07
	60	3W※、6W	0.062	0.25
	70	6W※、15W	0.14	0.52
	80	10W※、25W	0.31	1.2
	90	20W※、40W	0.75	3
		60W	1.1	4.6
		90W	1.1	4.6
		120W	1.1	4.6
	100	120W	2	8
		140W	2	8
180W		2	8	
60		6W	0.062	0.25
三相 Three-phase	70	15W	0.14	0.52
	80	25W	0.31	1.2
	90	40W	0.75	3
		60W	1.1	4.6
		90W	1.1	4.6
		120W	1.1	4.6
	100	120W	2	8
		140W	2	8
		180W	2	8
		60	6W、10W、15W	0.062
直流 DC Power	70	15W	0.14	0.52
	80	25W、40W	0.31	1.2
	90	40W	0.75	3
		60W	1.1	4.6
		90W	1.1	4.6
		120W	1.1	4.6
	100	250W	2	8

※是指转矩电动机的输出功率

※Output power for torque motors

■ 减速器容许转矩的计算 The Calculation For The Permissible Torque Of Gearhead

部分机型并未列在容许转矩表上，需要时可按以下公式计算。

Permissible torque for some products are omitted. In that case, use the equation below to calculate the permissible torque.

容许转矩 Permissible Torque $TG = TM \times i \times \eta$

TG: 减速器容许转矩 Permissible Torque of Gearhead

TM: 电动机转矩 Motor Torque

i: 减速器减速比 Gear Ratio Gearhead

η : 减速器传动效率 Gearhead Efficiency

■ 减速器传动效率 Gearhead Efficiency

型号 Model	3	3.6	5	6	7.5	9	12.5	15	18	25	30	36	50	60	75	90	100	120	150	180	200
0GN□K 2GN□K 3GN□K 4GN□K 5GN□K	81%										73%			66%							
5GU□KB(K)	81%					73%			66%				59%								
6GU□K	81%					73%			66%												

选购配件 ACCESSORIES

电动机·减速器用安装底座 Motor / Gearhead Mounin Brackets

便于安装固定电动机、减速器的专用安装底座。为可对应大功率电动机、减速器的高强度型产品。安装底座上钻有螺孔，请用减速器附属的螺丝来组合电动机与减速器。安装电动机单体时，请另用安装用螺丝。 Mounting Brackets for attaching and securing a motor and gearhead. They are high-strength type, Which can be used with high power motors /gearheads. These brackets come with tapped holes. To mount the motor and gearhead, simply fasten with screws provided to the gearhead. To mount the motor alone, mounting screws must be provided separately.

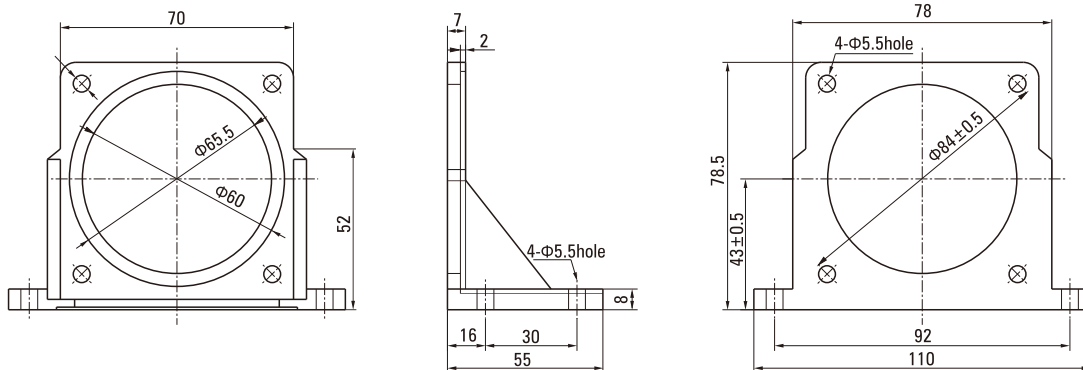


安装尺寸70mm用 Motor Frame Size:70mm

型号Model : ZD3M5 重量Weight : 160g 材质Material : 铝合金Aluminum

适用产品Applicable Products:3GN减速器3GN Gearhead

安装尺寸□70mm电动机Motor with the frame size of□70mm

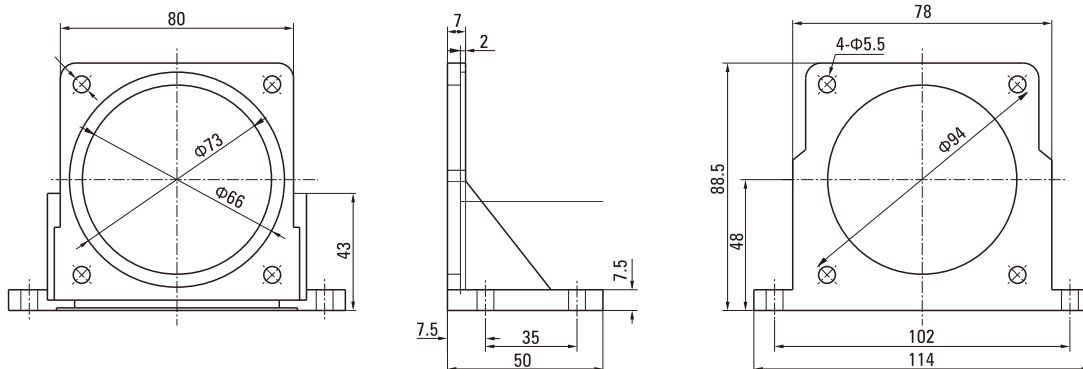


安装尺寸80mm用 Motor Frame Size:80mm

型号Model : ZD4M5 重量Weight : 200g 材质Material : 铝合金Aluminum

适用产品Applicable Products:4GN减速器4GN Gearhead

安装尺寸□80mm电动机Motor with the frame size of□80mm

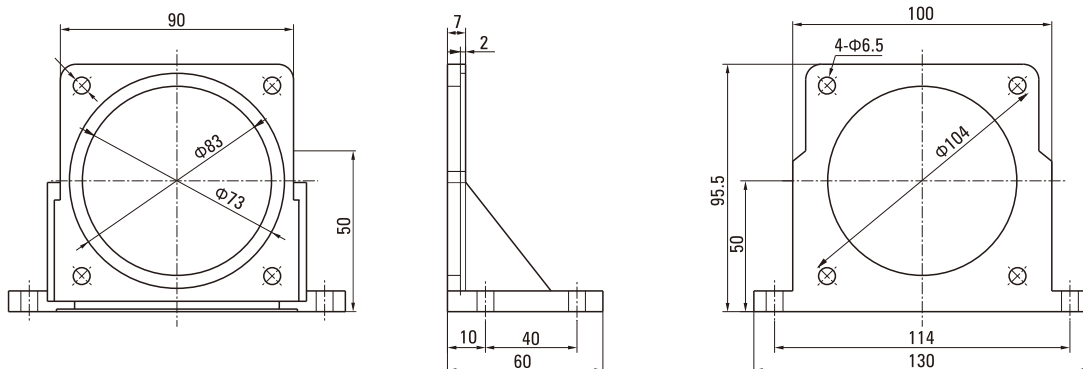


安装尺寸90mm用 Motor Frame Size:90mm

型号Model : ZD5M5 重量Weight : 270g 材质Material : 铝合金Aluminum

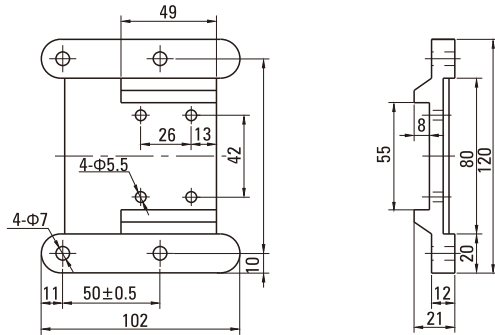
适用产品Applicable Products:5GN、5GU减速器5GN、5GU Gearhead

安装尺寸□90mm电动机Motor with the frame size of□90mm



■ 安装尺寸80、90、104mm用 Motor Frame Size:80、90、104mm

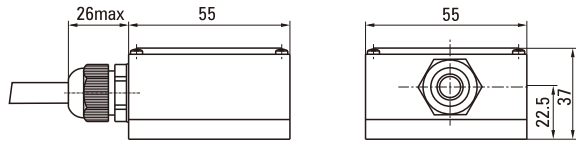
型号Model : ZD6M6 重量Weight : 260g 材质Material : 铝合金Aluminum
 适用产品Applicable Products:4GN减速机4GN Gearhead
 安装尺寸□80、90、104mm电动机Motor with the frame size of□80、90、104mm



■ 电动机用端子箱 Terminal Box For Motor

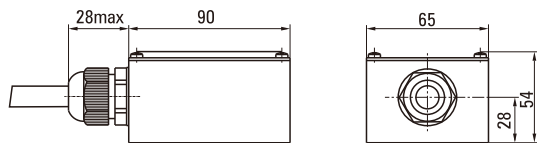
根据客户的需求，可选择以下类型的端子箱。
 You can select from following types of terminal boxes according to customer's request.

型号Model : ZDTX
 重量Weight : 90g 材质Material : 铝合金Aluminum
 适用产品Applicable Products:4GN减速机4GN Gearhead
 安装尺寸□80、90、104mm电动机
 Motor with the frame size of□80、90、104mm



●适用电缆直径为Use cable with a diameter of $\Phi 4 \sim 8\Phi$ mm

型号Model : ZDTX
 重量Weight : 290g 材质Material : 铝合金Aluminum
 适用产品Applicable Products:4GN减速机4GN Gearhead
 安装尺寸□80、90、104mm电动机
 Motor with the frame size of□80、90、104mm



●适用电缆直径为Use cable with a diameter of $\Phi 4 \sim 8\Phi$ mm

CATALOGUE



SMALL AC GEAR MOTOR

CATALOGUE 2015-2016
小型交流平行轴齿轮减速电机



PLANETARY GEAR BOX

CATALOGUE 2015-2016
精密行星减速机



CYCLOID PIN WHEEL RV REDUCER

CATALOGUE 2015-2016
摆线针轮RV减速机



DC BRUSHLESS GEAR MOTOR

CATALOGUE 2015-2016
微型无刷直流平行轴齿轮减速电机
微型无刷直流直角轴输出减速电机



HP & AC GEAR MOTOR

CATALOGUE 2015-2016
HP系列准双曲面齿轮减速电机



PLANETARY GEAR MOTOR

CATALOGUE 2015-2016
传动行星减速电机



AC&DC GEAR MOTOR CATALOGUE

宁波中大力德智能传动股份有限公司
NINGBO ZHONGDA LEADER INTELLIGENT TRANSMISSION STOCK CO.,LTD

地址：浙江省慈溪市新兴产业集群区新兴一路185号
Add : NO.185 1st Xinxing Road, New Industrial Zone, Cixi City,
Zhejiang, China.

宁波中大创远精密传动设备有限公司
ZHONGDA CHUANGYUAN PRECISE TRANSMISSION EQUIPMENT CO.,LTD.

地址：浙江省慈溪市杭州湾新区金慈路
Add : Jinci Road, Hangzhou Bay District, Cixi City, Zhejiang, China.

国内贸易服务：

电话：86-574-63531113 63531114 63531115
传真：86-574-63534879
E-mail:china@zd-motor.com

国际贸易服务：

International trade department:
Tel:86-574-63530538 Fax:86-574-63534879
E-mail:manager@zd-motor.com
E-mail:trade@zd-motor.com

更多详情，敬请浏览：
www.zd-motor.com