

EML

Series Servo Motor

Features

- Be used to drive the feed shaft of various machine
- Various products(1.0KW ~4.0KW, with brake etc.)
- Equipped with 2500P/R encoder,17-bit incremental/absolute encoder
- Standard configuration is IP65

Applications

- Machine tools
- Handling machine
- Foodstuff processing machine
- Textile machine



Model Specification Description

EML-10 A D A 1 1

EML Model Servo Motor

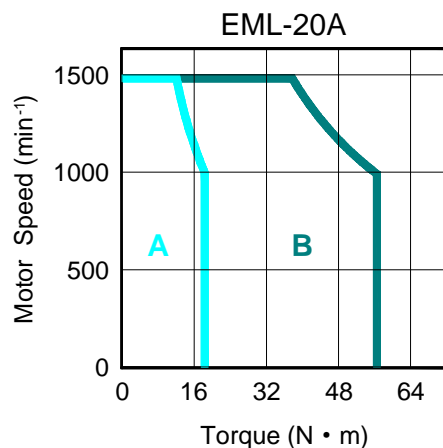
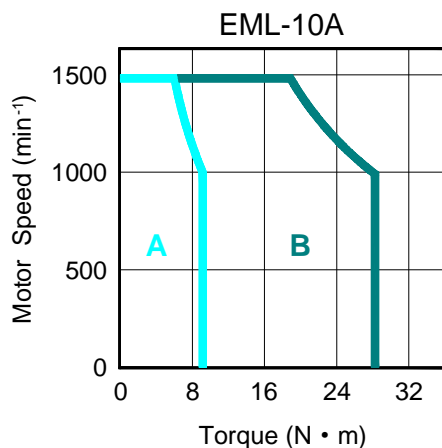
Rated Power		Power Voltage		Encoder		Design Sequence		Shaft End		Optional Parts			
Sign	Spec.	Sign	Spec.	Sign	Spec.	Sign	Spec.	Sign	Spec.	Sign	Spec.		
10	1.0KW	A	200Vac	D	Incremental Encoder: 131072P/R	A	Design Sequence	1	Flat, without keys	1	None		
15	1.5KW									2	With Oil Seal		
20	2.0KW									2	Flat, with keys, with screw thread	3	With brake (DC24V)
30	3.0KW											4	With oil seal, with brake (DC24V)
40	4.0KW											P	Incremental Encoder: 2500P/R

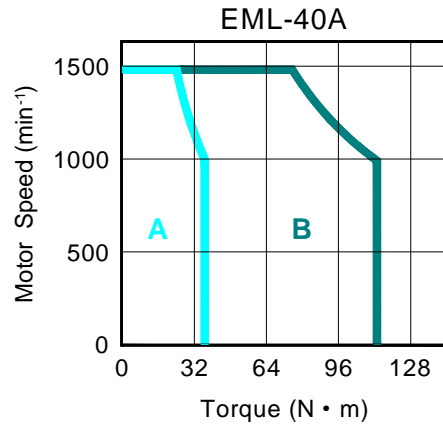
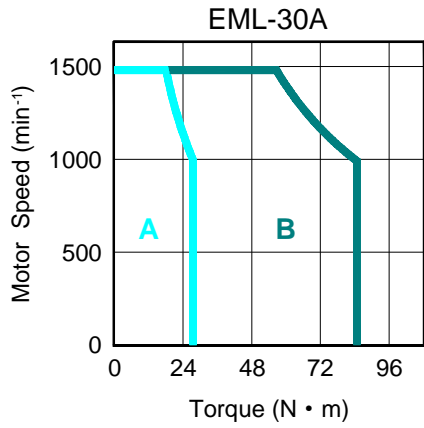
Rated Value and Specification

Voltage		200VAC			
Servo motor type	EML -	10A	20A	30A	40A
Rated output power	kW	1.0	2.0	3.0	4.0
Rated torque	N.m	9.55	19.1	28.7	38.2
Instantaneous peak torque	N.m	28.7	57.3	86.0	114.6
Rated current	Arms	6.0	12.0	18.0	24.0
Instantaneous peak current	Arms	18.0	36.0	54.0	72.0
Rated rotated speed	min ⁻¹	1000			
The highest rotated speed	min ⁻¹	1500			
Rotator rotated inertia	x10 ⁻⁴ kg / m ²	19(19.6)	53.5(56.7)	77.8(81.0)	102.2(105.4)
Brake rated voltage		DC24V ± 10%			
Brake rated power	W	19		35	
Brake holding torque	N.M	10		40	
Feedback unit	Standard	17 bit Incremental Encoder: 131072P/R			
	Optional	17 bit Absolute Encoder: 131072P/R; Resolver			
Heat endurance level		F			
Environment temperature		0 to + 40 C (Non-iced)			
Environment humidity		20 to 80% RH (No dew)			
Protection method		All-closed , self-cool , IP65 (Except output shaft and connector)			
Anti-vibration performance		24.5m /s ²			

(Note): The values in parentheses are for servo motors with holding brakes.

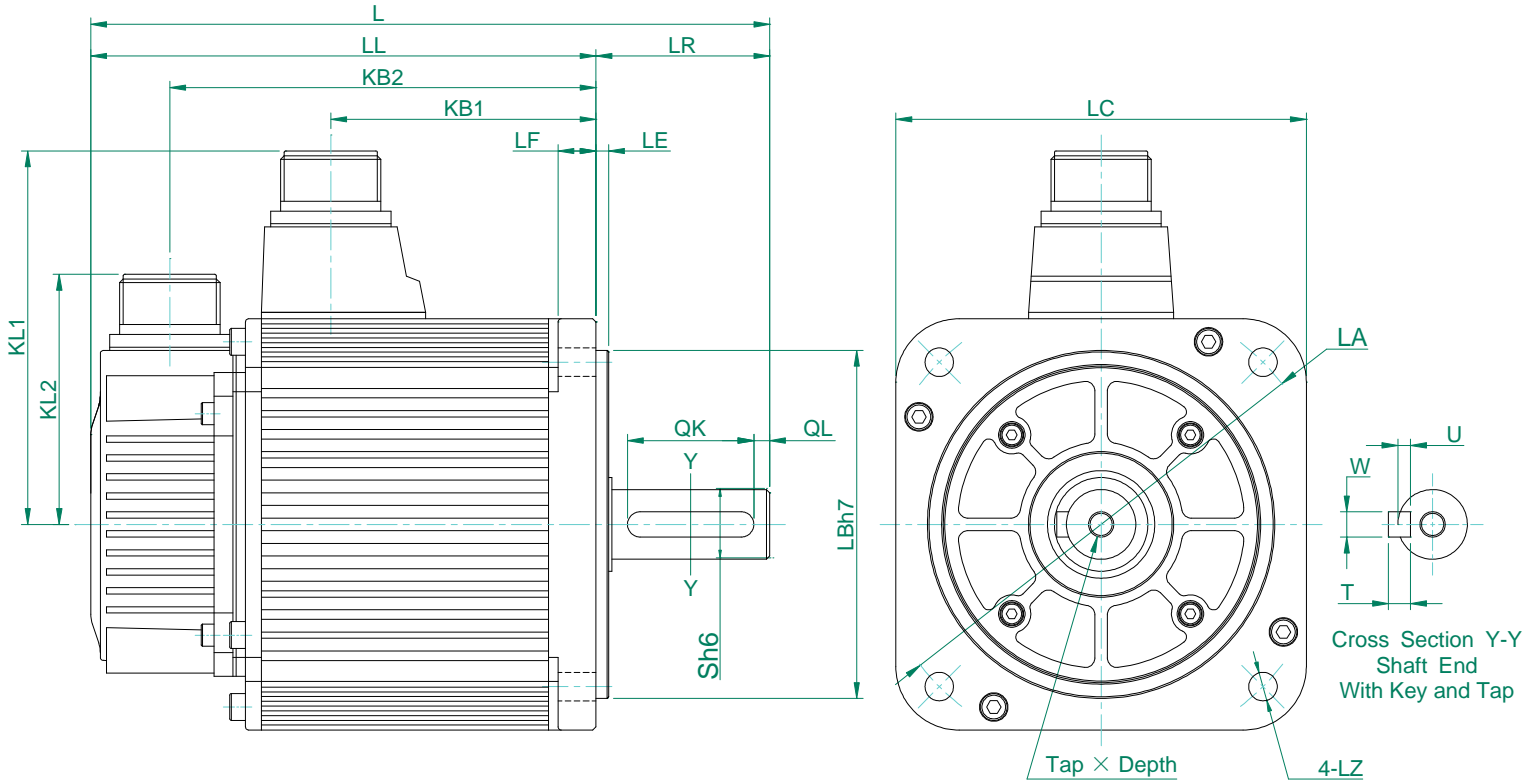
Torque-Speed Feature





Dimension

A: Continuous Working Area B: Repeatable Working Area



Model EML-	L	LL	KB1	KB2	KL1	KL2	Flange face						S	TapxDe pth	key					
							LR	LE	LF	LC	LA	LB			LZ	QK	QL	W	T	U
10A	265	210	134	185	118	79	55	4	12	130	145	110	9	22	M6x20 L	40	5	8	7	4
20A	332	253	168	228	140	79	79	3.2	18	180	200	114	13.5	35	M8x16 L	55	6	10	8	5
30A	372	293	208	268	140	79	79	3.2	18	180	200	114	13.5	35	M8x16 L	55	6	10	8	5
40A	412	333	248	308	140	79	79	3.2	18	180	200	114	13.5	35	M8x16 L	55	6	10	8	5

Connector specification for S series



- **Motor connector specification**
- Plug: MS3108B20-4S(LC=130), MS3108B22-22S(LC=180)
- Receptacle: MS3102A20-4P (LC=130),MS3102A22-22P(LC=180)
- Cable Clamp: MS3057-12A

Pin No.	Signal
A	U phase
B	V phase
C	W phase
D	FG



- **Encoder connector specification**
- Plug: MS3108B20-29S
- Receptacle: MS3102A20-29P
- Cable Clamp: MS3057-12A

Incremental/Absolute encoder

Pin No.	Signal	Color
K	S+	Blue
L	S -	Blue/Black
*T	BAT+	Brown
*S	B AT-	Brown/Black
H	PG5V	Red
G	PG0V	Black
J	FG	Shield

*Note: There are no BAT+,BAT- signal in incremental encoder



- **Brake Connector Specifications**
- Plug: MS3106A10SL-3S
- Receptacle: MS3102A10SL-3P
- Cable Clamp: MS3057-4A

Pin No.	Signal
A	B1
B	B2
C	-

Connector specification for E series



➤ Motor connector specification

- Plug: MS3108B20-4S(LC=130), MS3108B22-22S(LC=180)
- Receptacle: MS3102A20-4P (LC=130),MS3102A22-22P(LC=180)
- Cable Clamp: MS3057-12A

Pin No.	Signal
A	U phase
B	V phase
C	W phase
D	FG



➤ Encoder connector specification

- Plug: MS3108B20-29S
- Receptacle: MS3102A20-29P
- Cable Clamp: MS3057-12A

Pin No.	Signal	Color
A	A+	Blue
B	A -	Blue/Black
C	B+	Green/Black
D	B -	Green
E	C+	Yellow
F	C -	Yellow/Black
G	PG0V	Black
H	PG5V	Red
J	FG	Shield



➤ Brake Connector Specifications

- Plug: MS3106A10SL-3S
- Receptacle: MS3102A10SL-3P
- Cable Clamp: MS3057-4A

Pin No.	Signal
A	B1
B	B2
C	-